



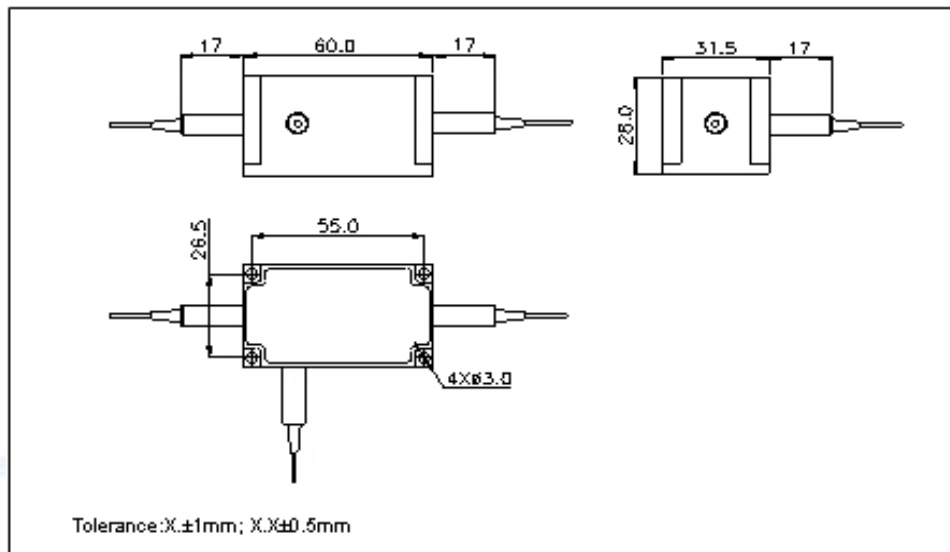
Opto-Link
Corporation Ltd

SPECIFICATIONS

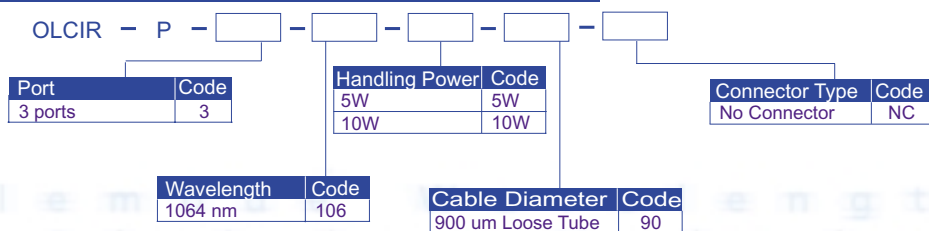
Polarization Maintaining Optical Circulators

Parameter	Values		Units
Center Wavelength	1064		nm
Min. Extinction Ratio	20	20	dB
Typ. Insertion Loss	1.2	1.2	dB
Max. Insertion Loss	1.5	1.5	dB
Min. Isolation	22	22	dB
Min. Crosstalk	45	45	dB
Min. Return Loss	45	45	dB
Max. Average Optical Power	5	10	W
Max. Peak Power for ns pulse	10	10	kW
Max. Tensile Load	5	5	N
Operating Temperature	0 to +60	0 to +60	°C
Storage Temperature	-20 to +75	-20 to +75	°C
Fiber Type	PM 980 Panda Fiber	PM 980 Panda Fiber	--
Package Dimension	60x31.5x28	60x31.5x28	mm

Package Dimension



ORDERING CODES



■ Opto-Link Corporation Ltd. reserves the right to make changes to the products described herein without notice.

COPYRIGHT © 2002-2009 Opto-Link Corporation Ltd.

Tel: +852 2480-6106 Fax: +852 2480-1621 Email: contact@optolinkcorp.com Website: www.optolinkcorp.com