



Opto-Link  
Corporation Ltd

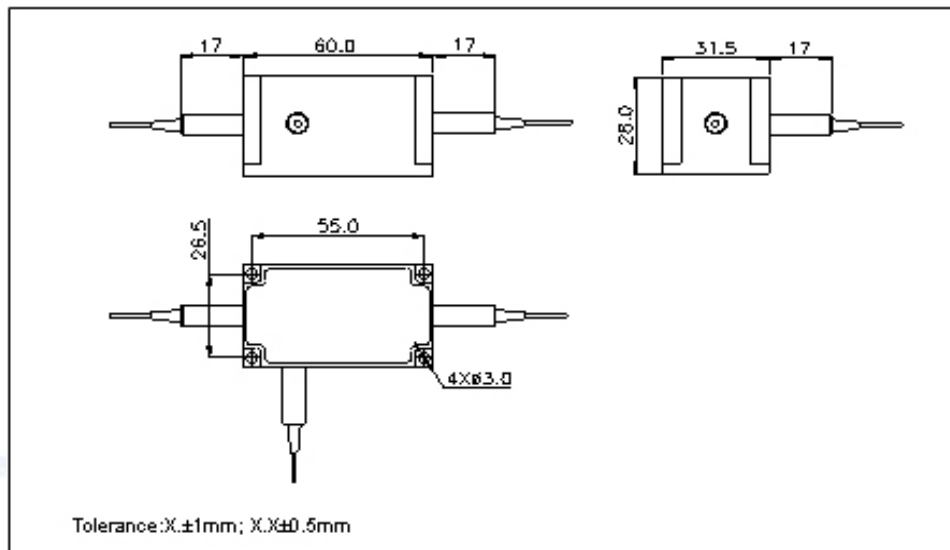
## SPECIFICATIONS

### High Power Polarization Maintaining Optical Circulators

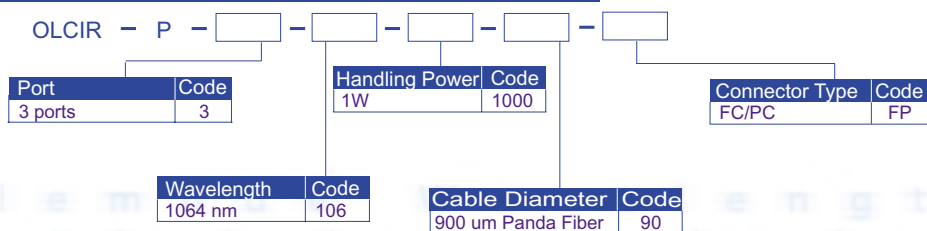
Parameter	Values	Units
Center Wavelength	1064	nm
Extinction Ratio	20	dB
Typ. Insertion Loss	1.2	dB
Max. Insertion Loss	1.5	dB
Min. Isolation	22	dB
Min. Crosstalk	45	dB
Min. Return Loss	45	dB
Max. Optical Power (Continuous Wave)	1	W
Max. Tensile Load	5	N
Operating Temperature	0 to +60	°C
Storage Temperature	-20 to +75	°C
Fiber Type	PM 980 Panda Fiber	--
Package Dimension	60x31.5x28	mm

\* IL is 0.5 dB higher, RL is 5 dB lower, and ER is 2 dB lower for each connector added.  
Connector key is aligned to slow axis.

### Package Dimension



## ORDERING CODES



■ Opto-Link Corporation Ltd. reserves the right to make changes to the products described herein without notice.

COPYRIGHT © 2002-2009 Opto-Link Corporation Ltd.

Tel: +852 2480-6106 Fax: +852 2480-1621 Email: [contact@optolinkcorp.com](mailto:contact@optolinkcorp.com) Website: [www.optolinkcorp.com](http://www.optolinkcorp.com)