



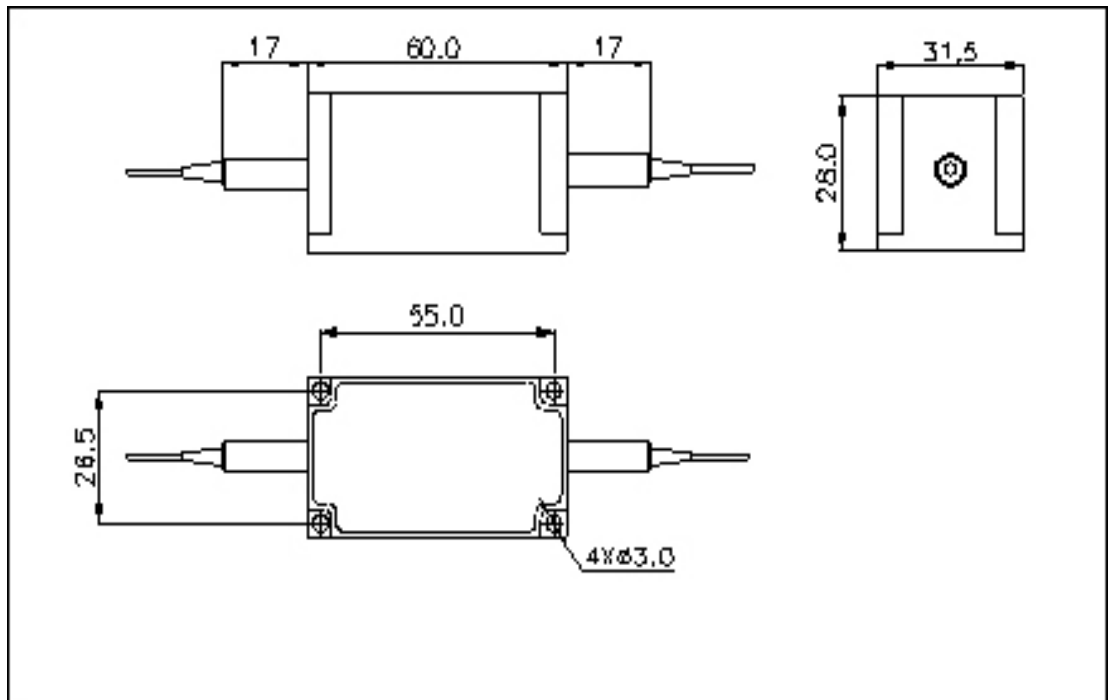
Opto-Link
Corporation Ltd

SPECIFICATIONS

Polarization Independent Optical Circulators

Parameter	Values	Units
Center Wavelength	980	nm
Max. Polarization Dependent Loss	0.15	dB
Min. Isolation, 23°C, all polarization states	25	dB
Typ. Insertion Loss, 23°C	1.3	dB
Max. Insertion Loss, 23°C	1.5	dB
Min. Return Loss (Input/Output)	45/45	dB
Max. Average Optical Power	3	W
Max. Peak Power for ns pulse	10	kW
Max. Tensile Load	5	N
Fiber Type	HI 1060 Fiber	--

Package Dimension



ORDERING CODES

OLCIR - I - [] - [] - [] - [] - []

Port	Code
3 ports	3

Handling Power	Code
3W	3W

Connector Type	Code
No Connector	NC

Wavelength	Code
1064 nm	106

Cable Diameter	Code
900 um Loose tube	90

■ Opto-Link Corporation Ltd. reserves the right to make changes to the products described herein without notice.

COPYRIGHT © 2002-2009 Opto-Link Corporation Ltd.

Tel: +852 2480-6106 Fax: +852 2480-1621 Email: contact@optolinkcorp.com Website: www.optolinkcorp.com